



PDL-3150

- BODY: EXTRUDED ALUMINUM ALLOY CNC MACHINED
- AXLE: CNC MACHINED CR-MO
- BEARING: 3 SEALED BEARINGS / DU+ SEALED BEARINGS
- SIZE: 100*105MM (OPTIONAL)
- WEIGHT: 420G/PR



PDL-3151

- BODY: EXTRUDED ALUMINUM ALLOY CNC MACHINED
- AXLE: CNC MACHINED CR-MO
- BEARING: 3 SEALED BEARINGS / DU+ SEALED BEARINGS
- SIZE: 57*67*20MM (OPTIONAL)
- WEIGHT: 370G/PR



PDL-3152

- BODY: EXTRUDED ALUMINUM ALLOY CNC MACHINED
- AXLE: CNC MACHINED CR-MO
- BEARING: 3 SEALED BEARINGS / DU+ SEALED BEARINGS
- SIZE: 58*66*20MM (OPTIONAL)
- WEIGHT: 370G/PR



PDL-3153

- BODY: EXTRUDED ALUMINUM ALLOY CNC MACHINED
- AXLE: CNC MACHINED CR-MO
- BEARING: LSL BUSHING/SEALED BEARINGS
- SIZE: 92.6*109MM
- WEIGHT: 543G/PR



PDL-3155

- BODY: FIBER GLASS REINFORCED NYLON
- AXLE: CNC MACHINED CR-MO
- BEARING: LSL BUSHING/SEALED BEARINGS
- SIZE: 72.3*91.2MM
- WEIGHT: 155G/PR



PDL-3156

- BODY: EXTRUDED ALUMINUM ALLOY CNC MACHINED
- AXLE: CNC MACHINED CR-MO
- BEARING: 3 SEALED BEARINGS / DU+ SEALED BEARINGS
- SIZE: 113*98*16MM (OPTIONAL)
- WEIGHT: 480G/PR



PDL-3156S

- BODY: EXTRUDED ALUMINUM ALLOY CNC MACHINED
- AXLE: CNC MACHINED CR-MO
- BEARING: LSL BUSHING/SEALED BEARINGS
- SIZE: 98*112MM



PDL-3157

- BODY: EXTRUDED ALUMINUM ALLOY CNC MACHINED
- AXLE: CNC MACHINED CR-MO
- BEARING: LSL BUSHING/SEALED BEARINGS
- SIZE: 100*112MM
- WEIGHT: 510G/PR



PDL-3158

- BODY: EXTRUDED ALUMINUM ALLOY CNC MACHINED
- AXLE: CNC MACHINED CR-MO
- BEARING: 3 SEALED BEARINGS / DU+ SEALED BEARINGS
- SIZE: 75*92*17.5MM (OPTIONAL)
- WEIGHT: 332G/PR



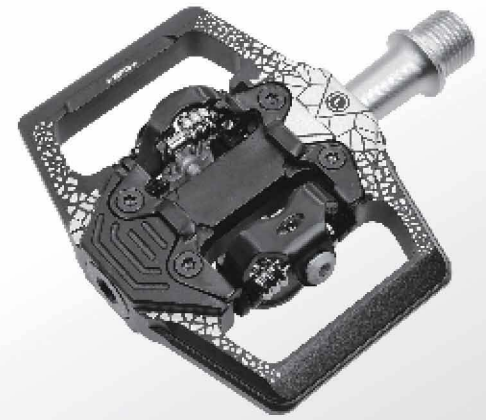
PDL-3159

- BODY: EXTRUDED/ALUMINUM ALLOY CNC MACHINED
- AXLE: CNC MACHINED CR-MO
- BEARING: 3 SEALED BEARINGS / DU+SEALED BEARINGS (OPTIONAL)
- SIZE: 90*100 MM
- WEIGHT: 380G/PR



PDL-3160

- BODY: EXTRUDED/ALUMINUM ALLOY CNC MACHINED
- AXLE: CNC MACHINED CR-MO
- BEARING: 3 SEALED BEARINGS / DU+SEALED BEARINGS (OPTIONAL)
- SIZE: 70*92*17.7 MM
- WEIGHT: 380G/PR



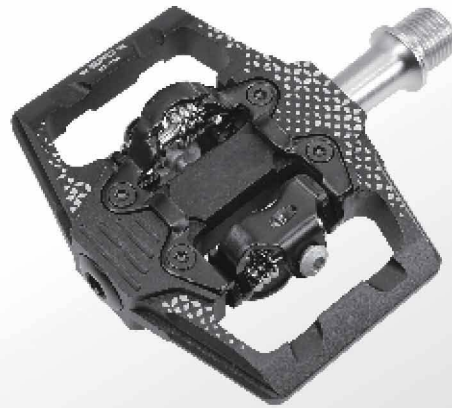
PDL-3160S

- BODY: EXTRUDED/ALUMINUM ALLOY CNC MACHINED
- AXLE: CNC MACHINED CR-MO
- BEARING: 3 SEALED BEARINGS / DU+SEALED BEARINGS (OPTIONAL)
- SIZE: 70*92*17.7 MM
- WEIGHT: 380G/PR



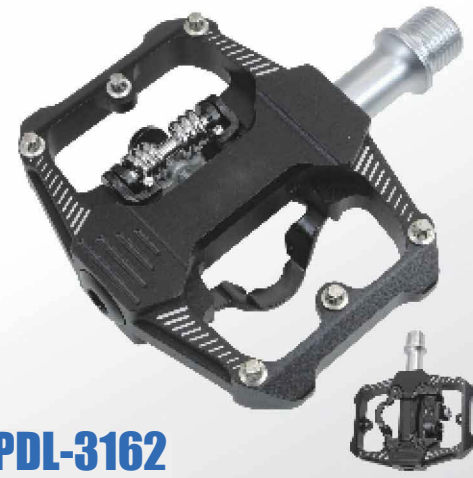
PDL-3161

- BODY: EXTRUDED/ALUMINUM ALLOY CNC MACHINED
- AXLE: CNC MACHINED CR-MO
- BEARING: 3 SEALED BEARINGS / DU+SEALED BEARINGS (OPTIONAL)
- SIZE: 70*92*17.7 MM
- WEIGHT: 380G/PR



PDL-3161S

- BODY: EXTRUDED/ALUMINUM ALLOY CNC MACHINED
- AXLE: CNC MACHINED CR-MO
- BEARING: 3 SEALED BEARINGS / DU+SEALED BEARINGS (OPTIONAL)
- SIZE: 70*92*17.7 MM
- WEIGHT: 470G/PR



PDL-3162

- BODY: EXTRUDED/ALUMINUM ALLOY CNC MACHINED
- AXLE: CNC MACHINED CR-MO
- BEARING: 3 SEALED BEARINGS / DU+SEALED BEARINGS (OPTIONAL)
- SIZE: 70*92*17.7 MM
- WEIGHT: 390G/PR



PDL-3162S

- BODY: EXTRUDED/ALUMINUM ALLOY CNC MACHINED
- AXLE: CNC MACHINED CR-MO
- BEARING: 3 SEALED BEARINGS / DU+SEALED BEARINGS (OPTIONAL)
- SIZE: 70*92*17.7 MM
- WEIGHT: 470G/PR



PDL-3163

- BODY: EXTRUDED/ALUMINUM ALLOY CNC MACHINED
- AXLE: CNC MACHINED CR-MO
- BEARING: 3 SEALED BEARINGS / DU+SEALED BEARINGS (OPTIONAL)
- SIZE: 75*92*17.5 MM
- WEIGHT: 395G/PR



PDL-3163S

- BODY: EXTRUDED/ALUMINUM ALLOY CNC MACHINED
- AXLE: CNC MACHINED CR-MO
- BEARING: 3 SEALED BEARINGS / DU+SEALED BEARINGS (OPTIONAL)
- SIZE: 75*92*17.7 MM
- WEIGHT: 485G/PR



PDL-3164

- BODY: EXTRUDED/ALUMINUM ALLOY CNC MACHINED
- AXLE: CNC MACHINED CR-MO
- BEARING: 3 SEALED BEARINGS / DU+SEALED BEARINGS
- SIZE: 76*92*17.7 MM (OPTIONAL)
- WEIGHT: 390G/PR



PDL-3164S

- BODY: EXTRUDED/ALUMINUM ALLOY CNC MACHINED
- AXLE: CNC MACHINED CR-MO
- BEARING: 3 SEALED BEARINGS / DU+ SEALED BEARINGS
- SIZE: 76*92*17.7 MM (OPTIONAL)
- WEIGHT: 480G/PR



PDL-3165

- BODY: EXTRUDED/ALUMINUM ALLOY CNC MACHINED
- AXLE: CNC MACHINED CR-MO
- BEARING: 3 SEALED BEARINGS / DU+ SEALED BEARINGS
- SIZE: 76*92*17.7 MM (OPTIONAL)
- WEIGHT: 390G/PR



PDL-3165S

- BODY: EXTRUDED/ALUMINUM ALLOY CNC MACHINED
- AXLE: CNC MACHINED CR-MO
- BEARING: 3 SEALED BEARINGS / DU+ SEALED BEARINGS
- SIZE: 76*92*17.7 MM (OPTIONAL)
- WEIGHT: 480G/PR



PDL-3131

- BODY: EXTRUDED/ALUMINUM ALLOY CNC MACHINED
- AXLE: CNC MACHINED CR-MO
- BEARING: 3 SEALED BEARINGS / DU+ SEALED BEARINGS
- SIZE: 96*100 MM (OPTIONAL)
- WEIGHT: 290G/PR



PDL-3132

- BODY: EXTRUDED/ALUMINUM ALLOY CNC MACHINED
- AXLE: CNC MACHINED CR-MO
- BEARING: 3 SEALED BEARINGS / DU+SEALED BEARINGS
- SIZE: 96*100 MM (OPTIONAL)
- WEIGHT: 303G/PR



PDL-3133

- BODY: EXTRUDED/ALUMINUM ALLOY CNC MACHINED
- AXLE: CNC MACHINED CR-MO
- BEARING: 3 SEALED BEARINGS / DU+SEALED BEARINGS
- SIZE: 96*100 MM (OPTIONAL)
- WEIGHT: 318G/PR



PDL-3134

- BODY: EXTRUDED/ALUMINUM ALLOY CNC MACHINED
- AXLE: CNC MACHINED CR-MO
- BEARING: 3 SEALED BEARINGS / DU+SEALED BEARINGS
- SIZE: 96*100 MM (OPTIONAL)
- WEIGHT: 332G/PR



PDL-3135

- BODY: EXTRUDED/ALUMINUM ALLOY CNC MACHINED
- AXLE: CNC MACHINED CR-MO
- BEARING: 3 SEALED BEARINGS / DU+ SEALED BEARINGS
- SIZE: 100*100 MM (OPTIONAL)
- WEIGHT: 330G/PR



PDL-3136

- BODY: EXTRUDED/ALUMINUM ALLOY CNC MACHINED
- AXLE: CNC MACHINED CR-MO
- BEARING: 3 SEALED BEARINGS / DU+SEALED BEARINGS
- SIZE: 96*100MM (OPTIONAL)
- WEIGHT: 320G/PR



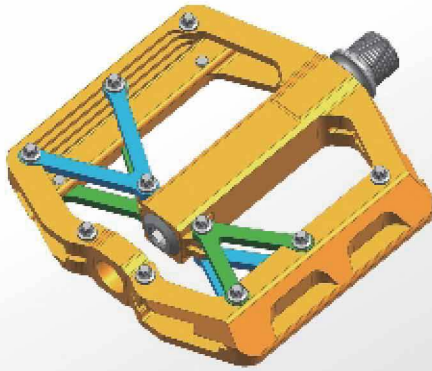
PDL-3137

- BODY: EXTRUDED/ALUMINUM ALLOY CNC MACHINED
- AXLE: CNC MACHINED CR-MO
- BEARING: 3 SEALED BEARINGS / DU+SEALED BEARINGS
- SIZE: 97*101MM (OPTIONAL)
- WEIGHT: 330G/PR



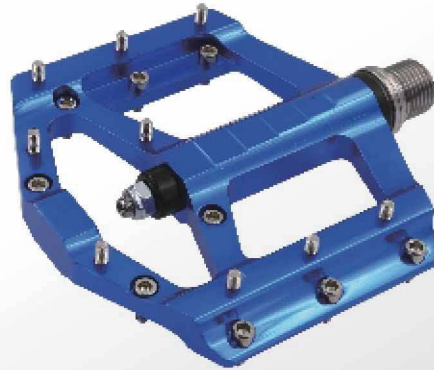
PDL-3170

- BODY: EXTRUDED/ALUMINUM ALLOY CNC MACHINED
- AXLE: CNC MACHINED CR-MO
- BEARING: SEALED BEARINGS
- SIZE: 100*103MM
- WEIGHT: 385G/PR



PDL-3171

- BODY: EXTRUDED/ALUMINUM ALLOY CNC MACHINED
- AXLE: CNC MACHINED CR-MO
- BEARING: SEALED BEARINGS
- SIZE: 100*103MM



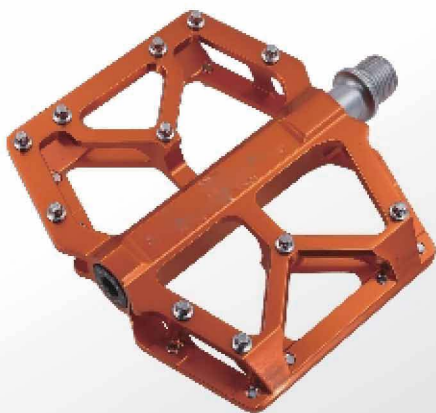
PDL-3172

- BODY: EXTRUDED/ALUMINUM ALLOY CNC MACHINED
- AXLE: CNC MACHINED CR-MO
- BEARING: THRUST BEARINGS/SEALED BEARING
- SIZE: 86*92MM
- WEIGHT: 270G/PR



PDL-3172S

- BODY: EXTRUDED/ALUMINUM ALLOY CNC MACHINED
- AXLE: CNC MACHINED CR-MO
- BEARING: THRUST BEARINGS/SEALED BEARING
- SIZE: 85*90MM
- WEIGHT: 270G/PR



PDL-3180

- BODY: EXTRUDED/ALUMINUM ALLOY CNC MACHINED
- AXLE: CNC MACHINED CR-MO
- BEARING: SEALED BEARINGS
- SIZE: 100*110MM
- WEIGHT: 346G/PR



PDL-3181

- BODY: EXTRUDED/ALUMINUM ALLOY CNC MACHINED
- AXLE: CNC MACHINED CR-MO
- BEARING: SEALED BEARINGS
- SIZE: 100*110MM
- WEIGHT: 340G/PR



PDL-3182

- BODY: EXTRUDED/ALUMINUM ALLOY CNC MACHINED
- AXLE: CNC MACHINED CR-MO
- BEARING: SEALED BEARINGS
- SIZE: 100*110MM
- WEIGHT: 366G/PR



PDL-3183

- BODY: EXTRUDED/ALUMINUM ALLOY CNC MACHINED
- AXLE: CNC MACHINED CR-MO
- BEARING: SEALED BEARINGS
- SIZE: 100*110MM
- WEIGHT: 366G/PR



PDL-3192

- BODY: EXTRUDED/ALUMINUM ALLOY CNC MACHINED
- AXLE: CNC MACHINED CR-MO
- BEARING: SEALED BEARINGS
- SIZE: 98*100MM
- WEIGHT: 306G/PR



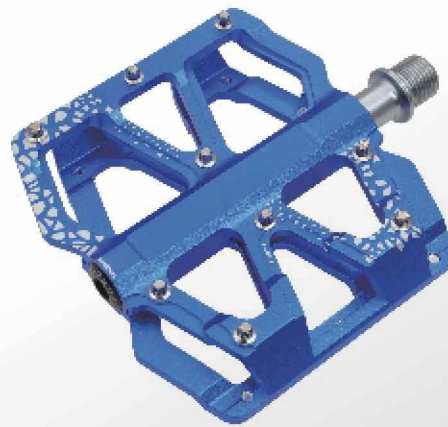
PDL-3193

- BODY: EXTRUDED/ALUMINUM ALLOY CNC MACHINED
- AXLE: CNC MACHINED CR-MO
- BEARING: 3 SEALED BEARINGS / DU+ SEALED BEARINGS (OPTIONAL)
- SIZE: 98*100 MM
- WEIGHT: 320G/PR



PDL-3195

- BODY: EXTRUDED/ALUMINUM ALLOY CNC MACHINED
- AXLE: CNC MACHINED CR-MO
- BEARING: SEALED BEARINGS
- SIZE: 98*100MM
- WEIGHT: 310G/PR



PDL-3196

- BODY: EXTRUDED/ALUMINUM ALLOY CNC MACHINED
- AXLE: CNC MACHINED CR-MO
- BEARING: 3 SEALED BEARINGS / DU+ SEALED BEARINGS (OPTIONAL)
- SIZE: 70*92*17.7 MM
- WEIGHT: 390G/PR



PDL-3197

- BODY: EXTRUDED/ALUMINUM ALLOY CNC MACHINED
- AXLE: CNC MACHINED CR-MO
- BEARING: SEALED BEARINGS
- SIZE: 100*100MM
- WEIGHT: 305G/PR



PDL-3197X

- BODY: EXTRUDED/ALUMINUM ALLOY CNC MACHINED
- AXLE: CNC MACHINED CR-MO
- BEARING: SEALED BEARINGS
- SIZE: 100*103MM
- WEIGHT: 305G/PR



PDL-3198

- BODY: EXTRUDED/ALUMINUM ALLOY CNC MACHINED
- AXLE: CNC MACHINED CR-MO
- BEARING: SEALED BEARINGS
- SIZE: 100*100MM
- WEIGHT: 305G/PR



PDL-3198X

- BODY: EXTRUDED/ALUMINUM ALLOY CNC MACHINED
- AXLE: CNC MACHINED CR-MO
- BEARING: SEALED BEARINGS
- SIZE: 100*103MM
- WEIGHT: 305G/PR



PDL-3199

- BODY: EXTRUDED/ALUMINUM ALLOY CNC MACHINED
- AXLE: CNC MACHINED CR-MO
- BEARING: SEALED BEARINGS
- SIZE: 98*100MM
- WEIGHT: 294G/PR



PDL-3199X

- BODY: EXTRUDED/ALUMINUM ALLOY CNC MACHINED
- AXLE: CNC MACHINED CR-MO
- BEARING: SEALED BEARINGS
- SIZE: 98*100MM
- WEIGHT: 294G/PR

PDL-3203

- BODY: EXTRUDED/ALUMINUM ALLOY CNC MACHINED
- AXLE: CR-MO STEEL
- BEARING: THREE SEALED BEARINGS
- SIZE: 107*107*21MM
- WEIGHT: 330G/PR
- COLOR: BLACK / RED / GOLD / GRAY / GREEN / SILVER, ETC.



PDL-3204

- BODY: EXTRUDED/ALUMINUM ALLOY CNC MACHINED
- AXLE: CR-MO STEEL
- BEARING: THREE SEALED BEARINGS
- SIZE: 106*60*21MM
- WEIGHT: 226G/PR
- COLOR: BLACK / RED / GOLD / GRAY / GREEN / SILVER, ETC.



PDL-3205

- BODY: EXTRUDED/ALUMINUM ALLOY CNC MACHINED
- AXLE: CR-MO STEEL
- BEARING: THREE SEALED BEARINGS
- SIZE: 100*70*21MM
- WEIGHT: 246G/PR
- COLOR: BLACK / RED / GOLD / GRAY / GREEN / SILVER, ETC.



PDL-3206 PATENTED

- BODY: EXTRUDED/ALUMINUM ALLOY CNC MACHINED
- AXLE: CR-MO STEEL
- BEARING: THREE SEALED BEARINGS
- SIZE: 84*74*24MM
- WEIGHT: 260G/PR
- COLOR: BLACK / RED / GOLD / GRAY / GREEN / SILVER, ETC.



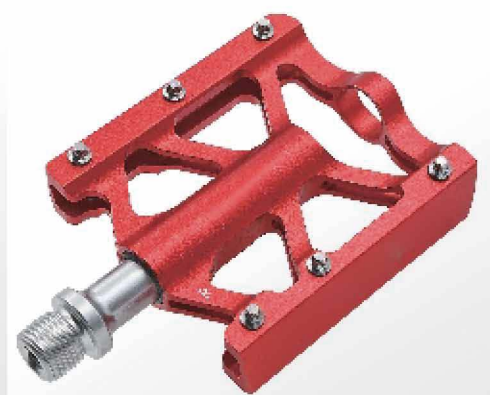
PDL-3208

- BODY: EXTRUDED/ALUMINUM ALLOY CNC MACHINED
- AXLE: CR-MO STEEL
- BEARING: THREE SEALED BEARINGS
- SIZE: 80*74*24MM
- WEIGHT: 280G/PR
- COLOR: BLACK / RED / GOLD / GRAY / GREEN / SILVER, ETC.



PDL-3209

- BODY: EXTRUDED/ALUMINUM ALLOY CNC MACHINED
- AXLE: CR-MO STEEL
- BEARING: THREE SEALED BEARINGS
- SIZE: 80*74*23MM
- WEIGHT: 250G/PR
- COLOR: BLACK / RED / GOLD / GRAY / GREEN / SILVER, ETC.



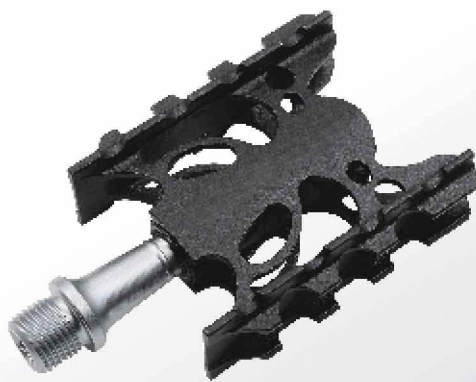
PDL-3210

- BODY: EXTRUDED/ALUMINUM ALLOY CNC MACHINED
- AXLE: CR-MO STEEL
- BEARING: THREE SEALED BEARINGS
- SIZE: 82*74*24MM
- WEIGHT: 280G/PR
- COLOR: BLACK / RED / GOLD / GRAY / GREEN / SILVER, ETC.



PDL-3211

- BODY: EXTRUDED/ALUMINUM ALLOY CNC MACHINED
- AXLE: CR-MO STEEL
- BEARING: THREE SEALED BEARINGS
- SIZE: 82*74*24MM
- WEIGHT: 300G/PR
- COLOR: BLACK / RED / GOLD / GRAY / GREEN / SILVER, ETC.



PDL-3101

- BODY: EXTRUDED/ALUMINUM ALLOY CNC MACHINED
- AXLE: CR-MO STEEL
- BEARING: THREE SEALED BEARINGS
- SIZE: 73*62*22MM
- WEIGHT: 230G/PR
- COLOR: BLACK / RED / GOLD / GRAY / GREEN / SILVER, ETC.



PDL-3102

- BODY: EXTRUDED/ALUMINUM ALLOY CNC MACHINED
- AXLE: CR-MO STEEL
- BEARING: THREE SEALED BEARINGS
- SIZE: 105*60*22MM
- WEIGHT: 230G/PR
- COLOR: BLACK / RED / GOLD / GRAY / GREEN / SILVER, ETC.



PDL-3103

- BODY: EXTRUDED/ALUMINUM ALLOY CNC MACHINED
- AXLE: CR-MO STEEL
- BEARING: THREE SEALED BEARINGS
- SIZE: 112*60*21MM
- WEIGHT: 234G/PR
- COLOR: BLACK / RED / GOLD / GRAY / GREEN / SILVER, ETC.



PDL-3104

- BODY: EXTRUDED/ALUMINUM ALLOY CNC MACHINED
- AXLE: CR-MO STEEL
- BEARING: THREE SEALED BEARINGS
- SIZE: 115*62*23MM
- WEIGHT: 298G/PR
- COLOR: BLACK / RED / GOLD / GRAY / GREEN / SILVER, ETC.



PDL-3105

- BODY: EXTRUDED/ALUMINUM ALLOY CNC MACHINED
- AXLE: CR-MO STEEL
- BEARING: THREE SEALED BEARINGS
- SIZE: 73*62*22MM
- WEIGHT: 274G/PR
- COLOR: BLACK / RED / GOLD / GRAY / GREEN / SILVER, ETC.



PDL-3301

- BODY: EXTRUDED/ALUMINUM ALLOY CNC MACHINED
- AXLE: CR-MO STEEL
- BEARING: THREE SEALED BEARINGS
- SIZE: 91*100*22MM
- WEIGHT: 320G/PR
- COLOR: BLACK / RED / GOLD / GRAY / GREEN / SILVER, ETC.



PDL-3302

- BODY: EXTRUDED/ALUMINUM ALLOY CNC MACHINED
- AXLE: CR-MO STEEL
- BEARING: THREE SEALED BEARINGS
- SIZE: 88*98*25MM
- WEIGHT: 300G/PR
- COLOR: BLACK / RED / GOLD / GRAY / GREEN / SILVER, ETC.



PDL-3303

- BODY: EXTRUDED/ALUMINUM ALLOY CNC MACHINED
- AXLE: CR-MO STEEL
- BEARING: THREE SEALED BEARINGS
- SIZE: 120*100*20MM
- WEIGHT: 390G/PR
- COLOR: BLACK / RED / GOLD / GRAY / GREEN / SILVER, ETC.



PDL-3304

- BODY: EXTRUDED/ALUMINUM ALLOY CNC MACHINED
- AXLE: CR-MO STEEL
- BEARING: THREE SEALED BEARINGS
- SIZE: 110*111*22MM
- WEIGHT:360G/PR
- COLOR:BLACK / RED / GOLD / GRAY / GREEN / SILVER,ETC.



PDL-3305

- BODY: EXTRUDED/ALUMINUM ALLOY CNC MACHINED
- AXLE: CR-MO STEEL
- BEARING: THREE SEALED BEARINGS
- SIZE: 115*100*30MM
- WEIGHT:324G/PR
- COLOR:BLACK / RED / GOLD / GRAY / GREEN / SILVER,ETC.



PDL-3306 PATENTED

- BODY: EXTRUDED/ALUMINUM ALLOY CNC MACHINED
- AXLE: CR-MO STEEL
- BEARING: THREE SEALED BEARINGS
- SIZE: 104*111*22MM
- WEIGHT:340G/PR
- COLOR:BLACK / RED / GOLD / GRAY / GREEN / SILVER,ETC.



PDL-3307 PATENTED

- BODY: EXTRUDED/ALUMINUM ALLOY CNC MACHINED
- AXLE: CR-MO STEEL
- BEARING: THREE SEALED BEARINGS
- SIZE: 108*111*22MM
- WEIGHT:365G/PR
- COLOR:BLACK / RED / GOLD / GRAY / GREEN / SILVER,ETC.



PDL-3308 PATENTED

- BODY: EXTRUDED/ALUMINUM ALLOY CNC MACHINED
- AXLE: CR-MO STEEL
- BEARING: THREE SEALED BEARINGS
- SIZE: 108*111*23MM
- WEIGHT:322G/PR
- COLOR:BLACK / RED / GOLD / GRAY / GREEN / SILVER,ETC.



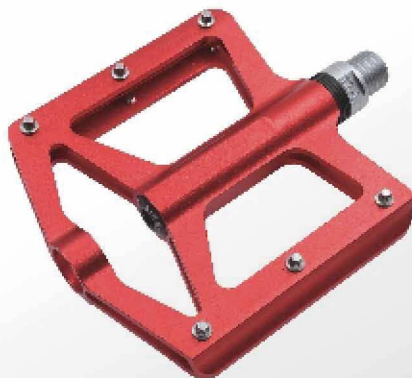
PDL-3309

- BODY: EXTRUDED/ALUMINUM ALLOY CNC MACHINED
- AXLE: CR-MO STEEL
- BEARING: THREE SEALED BEARINGS
- SIZE: 112*111*23MM
- WEIGHT:358G/PR
- COLOR:BLACK / RED / GOLD / GRAY / GREEN / SILVER,ETC.



PDL-3310

- BODY: EXTRUDED/ALUMINUM ALLOY CNC MACHINED
- AXLE: CR-MO STEEL
- BEARING: THREE SEALED BEARINGS
- SIZE: 97*111*22MM
- WEIGHT:325G/PR
- COLOR:BLACK / RED / GOLD / GRAY / GREEN / SILVER,ETC.



PDL-3311

- BODY: EXTRUDED/ALUMINUM ALLOY CNC MACHINED
- AXLE: CR-MO STEEL
- BEARING: THREE SEALED BEARINGS
- SIZE: 100*102*20MM
- WEIGHT:330G/PR
- COLOR:BLACK / RED / GOLD / GRAY / GREEN / SILVER,ETC.



PDL-3313

- BODY: EXTRUDED/ALUMINUM ALLOY CNC MACHINED
- AXLE: CR-MO STEEL
- BEARING: THREE SEALED BEARINGS
- SIZE: 135*112*20MM
- WEIGHT:356G/PR
- COLOR:BLACK / RED / GOLD / GRAY / GREEN / SILVER,ETC.



PDL-3315

- BODY: EXTRUDED/ALUMINUM ALLOY CNC MACHINED
- AXLE: CNC MACHINED CR-MO
- BEARING: 3 SEALED BEARINGS / DU+ SEALED BEARINGS
- SIZE: 70*92*17.7 MM (OPTIONAL)
- WEIGHT:470G/PR



PDL-3316

- BODY: EXTRUDED/ALUMINUM ALLOY CNC MACHINED
- AXLE: CNC MACHINED CR-MO
- BEARING: 3 SEALED BEARINGS / DU+SEALED BEARINGS
- SIZE: 100*101 MM (OPTIONAL)
- WEIGHT:320G/PR



PDL-3317

- BODY: EXTRUDED/ALUMINUM ALLOY CNC MACHINED
- AXLE: CNC MACHINED CR-MO
- BEARING: SEALED BEARINGS
- SIZE: 98*100MM
- WEIGHT:275G/PR



PDL-3320

- BODY: EXTRUDED/ALUMINUM ALLOY CNC MACHINED
- AXLE: CNC MACHINED CR-MO
- BEARING: 3 SEALED BEARINGS / DU+ SEALED BEARINGS
- SIZE: 97*100 MM (OPTIONAL)
- WEIGHT:330G/PR



PDL-3321

- BODY: EXTRUDED/ALUMINUM ALLOY CNC MACHINED
- AXLE: CNC MACHINED CR-MO
- BEARING: 3 SEALED BEARINGS / DU+SEALED BEARINGS
- SIZE: 97*100 MM (OPTIONAL)
- WEIGHT:325G/PR



PDL-3322

- BODY: EXTRUDED/ALUMINUM ALLOY CNC MACHINED
- AXLE: CNC MACHINED CR-MO
- BEARING: 3 SEALED BEARINGS / DU+ SEALED BEARINGS
- SIZE: 75*92*17.5 MM (OPTIONAL)
- WEIGHT:395G/PR



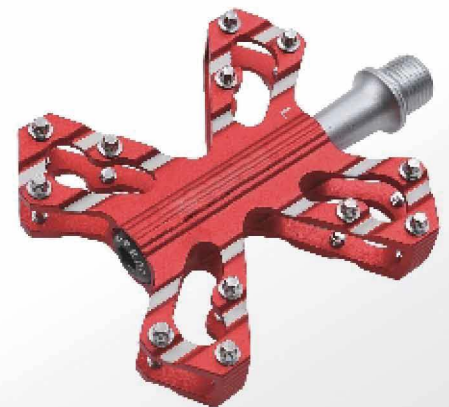
PDL-3501

- BODY: EXTRUDED/ALUMINUM ALLOY CNC MACHINED
- AXLE: CR-MO STEEL
- BEARING: THREE SEALED BEARINGS
- SIZE: 105*80*29MM
- WEIGHT:254G/PR
- COLOR:BLACK / RED / GOLD / GRAY / GREEN / SILVER,ETC.



PDL-3502

- BODY: EXTRUDED/ALUMINUM ALLOY CNC MACHINED
- AXLE: CR-MO STEEL
- BEARING: THREE SEALED BEARINGS
- SIZE: 105*80*29MM
- WEIGHT:263G/PR
- COLOR:BLACK / RED / GOLD / GRAY / GREEN / SILVER,ETC.



PDL-3503

- BODY: EXTRUDED/ALUMINUM ALLOY CNC MACHINED
- AXLE: CR-MO STEEL
- BEARING: THREE SEALED BEARINGS
- SIZE: 83*80*25MM
- WEIGHT:365G/PR
- COLOR:BLACK / RED / GOLD / GRAY / GREEN / SILVER,ETC.



PDL-3503S

- BODY: EXTRUDED/ALUMINUM ALLOY CNC MACHINED
- AXLE: CR-MO STEEL
- BEARING: THREE SEALED BEARINGS
- SIZE: 90*94*21MM
- WEIGHT: 350G/PR
- COLOR: BLACK / RED / GOLD / GRAY / GREEN / SILVER, ETC.



PDL-3505

- BODY: EXTRUDED/ALUMINUM ALLOY CNC MACHINED
- AXLE: CR-MO STEEL
- BEARING: THREE SEALED BEARINGS
- SIZE: 83*80*25MM
- WEIGHT: 275G/PR
- COLOR: BLACK / RED / GOLD / GRAY / GREEN / SILVER, ETC.



PDL-3505S

- BODY: EXTRUDED/ALUMINUM ALLOY CNC MACHINED
- AXLE: CR-MO STEEL
- BEARING: THREE SEALED BEARINGS
- SIZE: 90*94*22MM
- WEIGHT: 380G/PR
- COLOR: BLACK / RED / GOLD / GRAY / GREEN / SILVER, ETC.



PDL-3603

- BODY: EXTRUDED/ALUMINUM ALLOY CNC MACHINED
- AXLE: CR-MO STEEL
- BEARING: THREE SEALED BEARINGS
- SIZE: 62*92*27MM
- WEIGHT: 290G/PR
- COLOR: BLACK / RED / GOLD / GRAY / GREEN / SILVER, ETC.



PDL-3606

- BODY: EXTRUDED/ALUMINUM ALLOY CNC MACHINED
- AXLE: CR-MO STEEL
- BEARING: THREE SEALED BEARINGS
- SIZE: 85*94*27MM
- WEIGHT: 270G/PR
- COLOR: BLACK / RED / GOLD / GRAY / GREEN / SILVER, ETC.



PDL-3607

- BODY: EXTRUDED/ALUMINUM ALLOY CNC MACHINED
- AXLE: CR-MO STEEL
- BEARING: THREE SEALED BEARINGS
- SIZE: 89*94*27MM
- WEIGHT: 300G/PR
- COLOR: BLACK / RED / GOLD / GRAY / GREEN / SILVER, ETC.



PDL-3608

- BODY: EXTRUDED/ALUMINUM ALLOY CNC MACHINED
- AXLE: CR-MO STEEL
- BEARING: THREE SEALED BEARINGS
- SIZE: 89*94*27MM
- WEIGHT: 320G/PR
- COLOR: BLACK / RED / GOLD / GRAY / GREEN / SILVER, ETC.



PDL-3701

- BODY: EXTRUDED/ALUMINUM ALLOY CNC MACHINED
- AXLE: CR-MO STEEL
- BEARING: THREE SEALED BEARINGS
- SIZE: 115*96*27MM
- WEIGHT: 372G/PR
- COLOR: BLACK / RED / GOLD / GRAY / GREEN / SILVER, ETC.



PDL-3702

- BODY: EXTRUDED/ALUMINUM ALLOY CNC MACHINED
- AXLE: CR-MO STEEL
- BEARING: THREE SEALED BEARINGS
- SIZE: 115*96*27MM
- WEIGHT: 362G/PR
- COLOR: BLACK / RED / GOLD / GRAY / GREEN / SILVER, ETC.



PDL-3703

- BODY: EXTRUDED/ALUMINUM ALLOY CNC MACHINED
- AXLE: CR-MO STEEL
- BEARING: THREE SEALED BEARINGS
- SIZE: 117*96*27MM
- WEIGHT:364G/PR
- COLOR:BLACK / RED / GOLD / GRAY / GREEN / SILVER,ETC.



PDL-3704

- BODY: EXTRUDED/ALUMINUM ALLOY CNC MACHINED
- AXLE: CR-MO STEEL
- BEARING: THREE SEALED BEARINGS
- SIZE: 92*97*25MM
- WEIGHT:350G/PR
- COLOR:BLACK / RED / GOLD / GRAY / GREEN / SILVER,ETC.



PDL-3706

- BODY: EXTRUDED/ALUMINUM ALLOY CNC MACHINED
- AXLE: CR-MO STEEL
- BEARING: THREE SEALED BEARINGS
- SIZE: 91*97*25MM
- WEIGHT:352G/PR
- COLOR:BLACK / RED / GOLD / GRAY / GREEN / SILVER,ETC.



PDL-3707

- BODY: EXTRUDED/ALUMINUM ALLOY CNC MACHINED
- AXLE: CR-MO STEEL
- BEARING: THREE SEALED BEARINGS
- SIZE: 90*96*26MM
- WEIGHT:352G/PR
- COLOR:BLACK / RED / GOLD / GRAY / GREEN / SILVER,ETC.



PDL-3708

- BODY: EXTRUDED/ALUMINUM ALLOY CNC MACHINED
- AXLE: CR-MO STEEL
- BEARING: THREE SEALED BEARINGS
- SIZE: 90*95*26MM
- WEIGHT:352G/PR
- COLOR:BLACK / RED / GOLD / GRAY / GREEN / SILVER,ETC.



PDL-3709

- BODY: EXTRUDED/ALUMINUM ALLOY CNC MACHINED
- AXLE: CR-MO STEEL
- BEARING: THREE SEALED BEARINGS
- SIZE: 107*96*26MM
- WEIGHT:350G/PR
- COLOR:BLACK / RED / GOLD / GRAY / GREEN / SILVER,ETC.



PDL-3710

- BODY: EXTRUDED/ALUMINUM ALLOY CNC MACHINED
- AXLE: CR-MO STEEL
- BEARING: THREE SEALED BEARINGS
- SIZE: 107*93*27MM
- WEIGHT:305G/PR
- COLOR:BLACK / RED / GOLD / GRAY / GREEN / SILVER,ETC.

PDL-3712

- BODY: EXTRUDED/ALUMINUM ALLOY CNC MACHINED
- AXLE: CR-MO STEEL
- BEARING: THREE SEALED BEARINGS
- SIZE: 100*96*27MM
- WEIGHT:264G/PR
- COLOR:BLACK / RED / GOLD / GRAY / GREEN / SILVER,ETC.



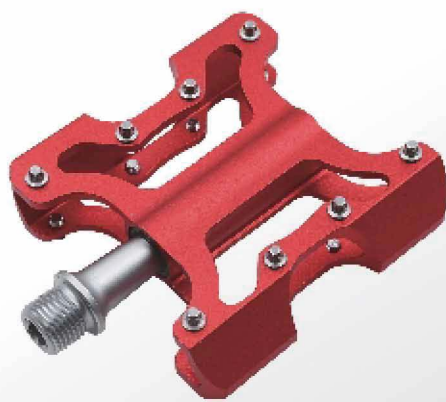
PDL-3713

- BODY: EXTRUDED/ALUMINUM ALLOY CNC MACHINED
- AXLE: CR-MO STEEL
- BEARING: THREE SEALED BEARINGS
- SIZE: 95*96*26MM
- WEIGHT:390G/PR
- COLOR:BLACK / RED / GOLD / GRAY / GREEN / SILVER,ETC.



PDL-3714

- BODY: EXTRUDED/ALUMINUM ALLOY CNC MACHINED
- AXLE: CR-MO STEEL
- BEARING: THREE SEALED BEARINGS
- SIZE: 120*96*27MM
- WEIGHT: 354G/PR
- COLOR: BLACK / RED / GOLD / GRAY / GREEN / SILVER, ETC.



PDL-3715

- BODY: EXTRUDED/ALUMINUM ALLOY CNC MACHINED
- AXLE: CR-MO STEEL
- BEARING: THREE SEALED BEARINGS
- SIZE: 85*80*25MM
- WEIGHT: 292G/PR
- COLOR: BLACK / RED / GOLD / GRAY / GREEN / SILVER, ETC.



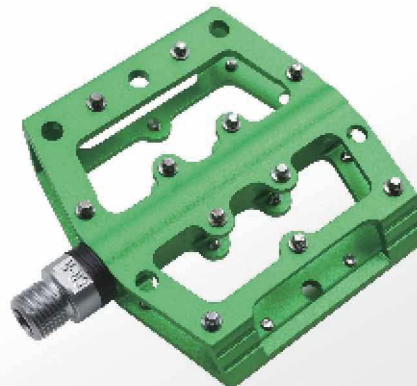
PDL-3716

- BODY: EXTRUDED/ALUMINUM ALLOY CNC MACHINED
- AXLE: CR-MO STEEL
- BEARING: THREE SEALED BEARINGS
- SIZE: 115*96*27MM
- WEIGHT: 372G/PR
- COLOR: BLACK / RED / GOLD / GRAY / GREEN / SILVER, ETC.



PDL-3717

- BODY: EXTRUDED/ALUMINUM ALLOY CNC MACHINED
- AXLE: CR-MO STEEL
- BEARING: THREE SEALED BEARINGS
- SIZE: 102*80*27MM
- WEIGHT: 234G/PR
- COLOR: BLACK / RED / GOLD / GRAY / GREEN / SILVER, ETC.



PDL-3718

- BODY: EXTRUDED/ALUMINUM ALLOY CNC MACHINED
- AXLE: CR-MO STEEL
- BEARING: THREE SEALED BEARINGS
- SIZE: 91*96*27MM
- WEIGHT: 370G/PR
- COLOR: BLACK / RED / GOLD / GRAY / GREEN / SILVER, ETC.



PDL-3719

- BODY: EXTRUDED/ALUMINUM ALLOY CNC MACHINED
- AXLE: CR-MO STEEL
- BEARING: THREE SEALED BEARINGS
- SIZE: 90*96*25MM
- WEIGHT: 390G/PR
- COLOR: BLACK / RED / GOLD / GRAY / GREEN / SILVER, ETC.



PDL-3720

- BODY: EXTRUDED/ALUMINUM ALLOY CNC MACHINED
- AXLE: CR-MO STEEL
- BEARING: THREE SEALED BEARINGS
- SIZE: 91*98*27MM
- WEIGHT: 356G/PR
- COLOR: BLACK / RED / GOLD / GRAY / GREEN / SILVER, ETC.



PDL-3721

- BODY: EXTRUDED/ALUMINUM ALLOY CNC MACHINED
- AXLE: CR-MO STEEL
- BEARING: THREE SEALED BEARINGS
- SIZE: 88*94*27MM
- WEIGHT: 300G/PR
- COLOR: BLACK / RED / GOLD / GRAY / GREEN / SILVER, ETC.



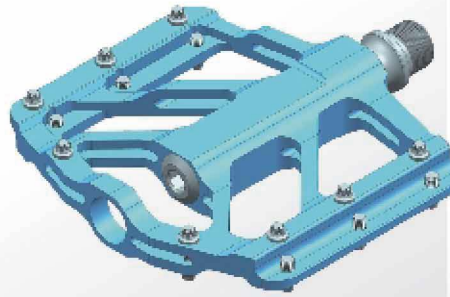
PDL-3723

- BODY: EXTRUDED/ALUMINUM ALLOY CNC MACHINED
- AXLE: CR-MO STEEL
- BEARING: THREE SEALED BEARINGS
- SIZE: 80*100*27MM
- WEIGHT: 250G/PR
- COLOR: BLACK / RED / GOLD / GRAY / GREEN / SILVER, ETC.



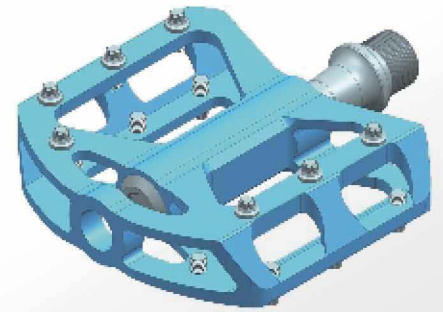
PDL-3724

- BODY: EXTRUDED/ALUMINUM ALLOY CNC MACHINED
- AXLE: CR-MO STEEL
- BEARING: THREE SEALED BEARINGS
- SIZE: 85*100*20MM
- WEIGHT: 280G/PR
- COLOR: BLACK / RED / GOLD / GRAY / GREEN / SILVER, ETC.



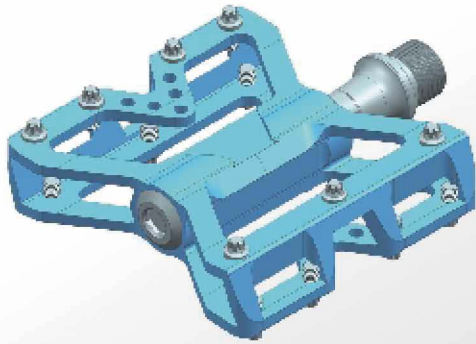
PDL-3728

- BODY: EXTRUDED/ALUMINUM ALLOY CNC MACHINED
- AXLE: CR-MO STEEL
- BEARING: THREE SEALED BEARINGS
- SIZE: 83*80 MM



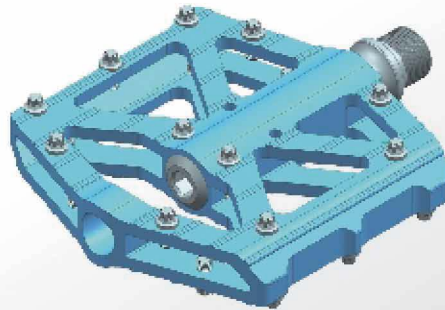
PDL-3729

- BODY: EXTRUDED/ALUMINUM ALLOY CNC MACHINED
- AXLE: CR-MO STEEL
- BEARING: THREE SEALED BEARINGS
- SIZE: 90*94 MM



PDL-3730

- BODY: EXTRUDED/ALUMINUM ALLOY CNC MACHINED
- AXLE: CR-MO STEEL
- BEARING: THREE SEALED BEARINGS
- SIZE: 83*80MM



PDL-3731

- BODY: EXTRUDED/ALUMINUM ALLOY CNC MACHINED
- AXLE: CR-MO STEEL
- BEARING: THREE SEALED BEARINGS
- SIZE: 90*94 MM



PDL-3800

- BODY: FORGED/ALUMINUM ALLOY CNC MACHINED
- AXLE: CNC MACHINED CR-MO
- BEARING: SEALED BEARINGS
- SIZE: 100*103MM
- WEIGHT: 410G/PR



PDL-3801

- BODY: EXTRUDED/ALUMINUM ALLOY CNC MACHINED
- AXLE: CR-MO STEEL
- BEARING: THREE SEALED BEARINGS
- SIZE: 91*97*26MM
- WEIGHT: 350G/PR
- COLOR: BLACK / RED / GOLD / GRAY / GREEN / SILVER, ETC.



PDL-3803

- BODY: EXTRUDED/ALUMINUM ALLOY CNC MACHINED
- AXLE: CR-MO STEEL
- BEARING: THREE SEALED BEARINGS
- SIZE: 115*96*27MM
- WEIGHT: 362G/PR
- COLOR: BLACK / RED / GOLD / GRAY / GREEN / SILVER, ETC.



PDL-3805

- BODY: EXTRUDED/ALUMINUM ALLOY CNC MACHINED
- AXLE: CR-MO STEEL
- BEARING: THREE SEALED BEARINGS
- SIZE: 115*96*27MM
- WEIGHT: 380G/PR
- COLOR: BLACK / RED / GOLD / GRAY / GREEN / SILVER, ETC.



PDL-3806

- BODY: EXTRUDED ALUMINUM ALLOY CNC MACHINED
- AXLE: CR-MO STEEL
- BEARING: THREE SEALED BEARINGS
- SIZE: 96*96*26MM
- WEIGHT: 375G/PR
- COLOR: BLACK / RED / GOLD / GRAY / GREEN / SILVER, ETC.



PDL-3901

- BODY: EXTRUDED ALUMINUM ALLOY CNC MACHINED
- AXLE: CR-MO STEEL
- BEARING: THREE SEALED BEARINGS
- SIZE: 90*91*27MM
- WEIGHT: 360G/PR
- COLOR: BLACK / RED / GOLD / GRAY / GREEN / SILVER, ETC.



PDL-3902

- BODY: EXTRUDED ALUMINUM ALLOY CNC MACHINED
- AXLE: CR-MO STEEL
- BEARING: THREE SEALED BEARINGS
- SIZE: 90*100*25MM
- WEIGHT: 400G/PR
- COLOR: BLACK / RED / GOLD / GRAY / GREEN / SILVER, ETC.



PDL-3904

- BODY: EXTRUDED ALUMINUM ALLOY CNC MACHINED
- AXLE: CR-MO STEEL
- BEARING: THREE SEALED BEARINGS
- SIZE: 100*105*30MM
- WEIGHT: 380G/PR
- COLOR: BLACK / RED / GOLD / GRAY / GREEN / SILVER, ETC.



PDL-3908

- BODY: ALUMINUM / PAINTED COLOR
- AXLE: CARBON STEEL
- BEARING: BALL BEARING
- SIZE: 90*72*23MM
- WEIGHT: 308G/PR



PDL-3909

- BODY: ALUMINUM / PAINTED COLOR
- AXLE: CR-MO STEEL
- BEARING: THREE SEALED BEARINGS
- SIZE: 90*72*23MM
- WEIGHT: 308G/PR



PDL-3920

- BODY: ALUMINUM / PAINTED COLOR
- AXLE: CR-MO STEEL
- BEARING: DU/SEALED
- SIZE: 90*104*27MM
- WEIGHT: 340G/PR



PDL-3922

- BODY: EXTRUDED ALUMINUM ALLOY CNC MACHINED
- AXLE: CR-MO STEEL
- BEARING: THREE SEALED BEARINGS
- SIZE: 92*105*24MM
- WEIGHT: 355G/PR
- COLOR: BLACK / RED / GOLD / GRAY / GREEN / SILVER, ETC.



PDL-3925

- BODY: FIBER GLASS REINFORCED NYLON
- AXLE: CNC MACHINED CR-MO
- BEARING: SEALED BEARINGS
- SIZE: 96*102MM
- WEIGHT: 332G/PR



PDL-3926

- BODY: HIGH-STRENGTH MATERIAL NYLON
- AXLE: CNC MACHINED CR-MO
- BEARING: 3 SEALED BEARINGS / DU + SEALED BEARINGS
- SIZE: 101*113 MM (OPTIONAL)
- WEIGHT: 365G/PR



PDL-3928

- BODY: HIGH-STRENGTH MATERIAL NYLON
- AXLE: CNC MACHINED CR-MO
- BEARING: 3 SEALED BEARINGS / DU+SEALED BEARINGS
- SIZE: 100*101 MM (OPTIONAL)
- WEIGHT: 320G/PR



PDL-3930

- BODY: ALUMINUM ALLOY CNC MACHINED
- AXLE: CNC MACHINED CR-MO
- BEARING: SEALED BEARINGS
- SIZE: 105*105MM
- WEIGHT: 360G/PR



PDL-3931

- BODY: ALUMINUM
- AXLE: CNC MACHINED CR-MO
- BEARING: SEALED BEARINGS
- SIZE: 101.5*100.5MM
- WEIGHT: 340G/PR



PDL-31010

- BODY: EXTRUDED ALUMINUM ALLOY CNC MACHINED
- AXLE: CR-MO STEEL
- BEARING: THREE SEALED BEARINGS
- SIZE: 125*100*29 MM
- WEIGHT: 380G/PR
- COLOR: BLACK / RED / GOLD / GRAY / GREEN / SILVER, ETC.



PDL-31011

- BODY: EXTRUDED ALUMINUM ALLOY CNC MACHINED
- AXLE: CR-MO STEEL
- BEARING: THREE SEALED BEARINGS
- SIZE: 101*98*33 MM
- WEIGHT: 388G/PR
- COLOR: BLACK / RED / GOLD / GRAY / GREEN / SILVER, ETC.



PDL-31018

- BODY: EXTRUDED ALUMINUM ALLOY CNC MACHINED
- AXLE: CR-MO STEEL
- BEARING: THREE SEALED BEARINGS
- SIZE: 99*105*25MM
- WEIGHT: 405G/PR
- COLOR: BLACK / RED / GOLD / GRAY / GREEN / SILVER, ETC.



PDL-31019

- BODY: EXTRUDED ALUMINUM ALLOY CNC MACHINED
- AXLE: CR-MO STEEL
- BEARING: THREE SEALED BEARINGS
- SIZE: 92*98*27 MM
- WEIGHT: 398G/PR
- COLOR: BLACK / RED / GOLD / GRAY / GREEN / SILVER, ETC.



PDL-31020

- BODY: ALUMINUM / PAINTED COLOR
- AXLE: CARBON STEEL
- BEARING: BALL BEARING
- SIZE: 100*98*29MM
- WEIGHT: 400G/PR



PDL-31021

- BODY: ALUMINUM / PAINTED COLOR
- AXLE: CARBON STEEL
- BEARING: BALL BEARING
- SIZE: 91*98*27MM
- WEIGHT:400G/PR



PDL-3M80

- BODY: EXTRUDED/ALUMINUM ALLOY CNC MACHINED
- AXLE: CR-MO STEEL
- BEARING: THREE SEALED BEARINGS
- SIZE: 101*103*27MM
- WEIGHT:454G/PR
- COLOR:BLACK / RED / GOLD / GRAY / GREEN / SILVER,ETC.



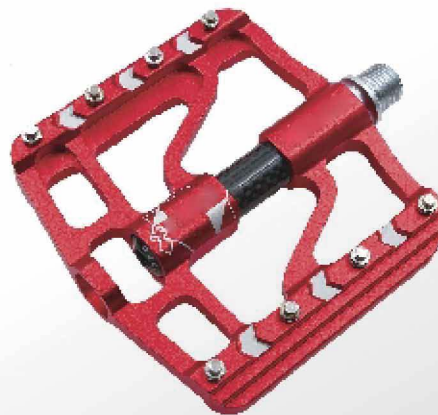
PDL-3X1

- BODY: EXTRUDED/ALUMINUM ALLOY CNC MACHINED
- AXLE: CR-MO STEEL
- BEARING: THREE SEALED BEARINGS
- SIZE: 80*98*30MM
- WEIGHT:316G/PR
- COLOR:BLACK / RED / GOLD / GRAY / GREEN / SILVER,ETC.



PDL-3X3

- BODY: EXTRUDED/ALUMINUM ALLOY CNC MACHINED
- AXLE: CR-MO STEEL
- BEARING: THREE SEALED BEARINGS
- SIZE: 95*105*22MM
- WEIGHT:350G/PR
- COLOR:BLACK / RED / GOLD / GRAY / GREEN / SILVER,ETC.



PDL-3X5 PATENTED

- BODY: EXTRUDED/ALUMINUM ALLOY CNC MACHINED
- AXLE: CR-MO STEEL
- BEARING: THREE SEALED BEARINGS
- SIZE: 90*102*25MM
- WEIGHT:370G/PR
- COLOR:BLACK / RED / GOLD / GRAY / GREEN / SILVER,ETC.



PDL-3X6 PATENTED

- BODY: EXTRUDED/ALUMINUM ALLOY CNC MACHINED
- AXLE: CR-MO STEEL
- BEARING: THREE SEALED BEARINGS
- SIZE: 92*105*24MM
- WEIGHT:355G/PR
- COLOR:BLACK / RED / GOLD / GRAY / GREEN / SILVER,ETC.



PDL-3X11

- BODY: EXTRUDED/ALUMINUM ALLOY CNC MACHINED
- AXLE: CNC MACHINED CR-MO
- BEARING: SEALED BEARINGS
- SIZE: 100*105.8MM



PDL-3X12

- BODY: EXTRUDED/ALUMINUM ALLOY CNC MACHINED
- AXLE: CNC MACHINED CR-MO
- BEARING: SEALED BEARINGS
- SIZE: 90.5*93.4MM



PDL-3X12S

- BODY: EXTRUDED/ALUMINUM ALLOY CNC MACHINED
- AXLE: CNC MACHINED CR-MO
- BEARING: SEALED BEARINGS
- SIZE: 90.5*93.4MM
- WEIGHT:310G/PR



PDL-3X13

- BODY: EXTRUDED/ALUMINUM ALLOY CNC MACHINED
- AXLE: CNC MACHINED CR-MO
- BEARING: SEALED BEARINGS
- SIZE: 98*105.2MM



PDL-3X14

- BODY: EXTRUDED/ALUMINUM ALLOY CNC MACHINED
- AXLE: CNC MACHINED CR-MO
- BEARING: SEALED BEARINGS
- SIZE: 102.9*105.4MM



PDL-3X15

- BODY: EXTRUDED/ALUMINUM ALLOY CNC MACHINED
- AXLE: CNC MACHINED CR-MO
- BEARING: SEALED BEARINGS
- SIZE: 101.6*105.8MM



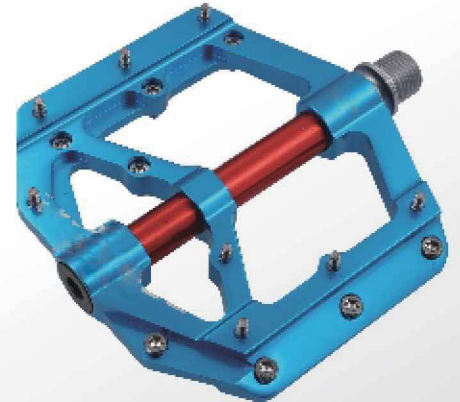
PDL-3X16

- BODY: EXTRUDED/ALUMINUM ALLOY CNC MACHINED
- AXLE: CNC MACHINED CR-MO
- BEARING: SEALED BEARINGS
- SIZE: 101.6*105.5MM



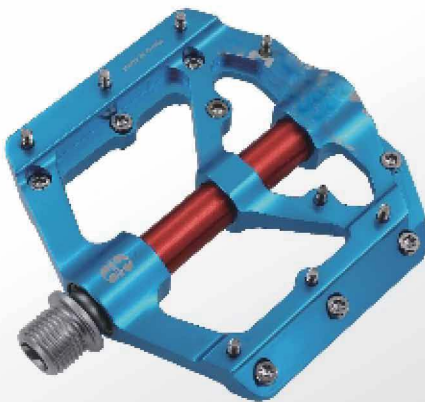
PDL-3X17

- BODY: EXTRUDED/ALUMINUM ALLOY CNC MACHINED
- AXLE: CNC MACHINED CR-MO
- BEARING: SEALED BEARINGS
- SIZE: 101.7*105.6MM



PDL-3X18

- BODY: ALUMINUM ALLOY CNC MACHINED
- AXLE: CNC MACHINED CR-MO
- BEARING: SEALED BEARINGS
- SIZE: 100*104.6MM
- WEIGHT: 340G/PR



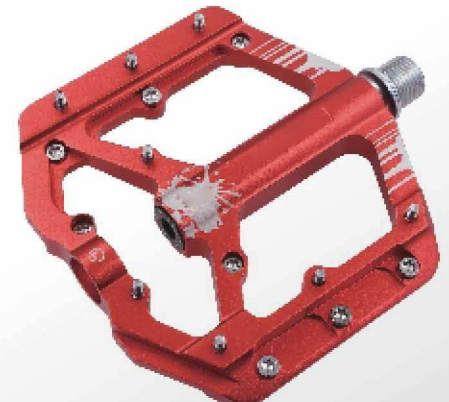
PDL-3X18S

- BODY: ALUMINUM ALLOY CNC MACHINED
- AXLE: CNC MACHINED CR-MO
- BEARING: SEALED BEARINGS
- SIZE: 90.5*93.5MM
- WEIGHT: 305G/PR



PDL-3X19

- BODY: EXTRUDED/ALUMINUM ALLOY CNC MACHINED
- AXLE: CNC MACHINED CR-MO
- BEARING: SEALED BEARINGS
- SIZE: 100*110MM
- WEIGHT: 366G/PR



PDL-3X20

- BODY: EXTRUDED/ALUMINUM ALLOY CNC MACHINED
- AXLE: CNC MACHINED CR-MO
- BEARING: SEALED BEARINGS
- SIZE: 10*104.6MM



PDL-3Y01

- BODY: EXTRUDED/ALUMINUM ALLOY CNC MACHINED
- AXLE: CR-MO STEEL
- BEARING: THREE SEALED BEARINGS
- SIZE: 96*100*26MM
- WEIGHT: 406G/PR
- COLOR: BLACK / RED / GOLD / GRAY / GREEN / SILVER, ETC.



PDL-3Y01 CNC

- BODY: EXTRUDED/ALUMINUM ALLOY CNC MACHINED
- AXLE: CR-MO STEEL
- BEARING: THREE SEALED BEARINGS
- SIZE: 96*103*26MM
- WEIGHT: 380G/PR
- COLOR: BLACK / RED / GOLD / GRAY / GREEN / SILVER, ETC.



PDL-3Y02

- BODY: EXTRUDED/ALUMINUM ALLOY CNC MACHINED
- AXLE: CR-MO STEEL
- BEARING: THREE SEALED BEARINGS
- SIZE: 79*100*30MM
- WEIGHT: 332G/PR
- COLOR: BLACK / RED / GOLD / GRAY / GREEN / SILVER, ETC.



PDL-3Y03

- BODY: EXTRUDED/ALUMINUM ALLOY CNC MACHINED
- AXLE: CR-MO STEEL
- BEARING: THREE SEALED BEARINGS
- SIZE: 91*100*24MM
- WEIGHT: 368G/PR
- COLOR: BLACK / RED / GOLD / GRAY / GREEN / SILVER, ETC.



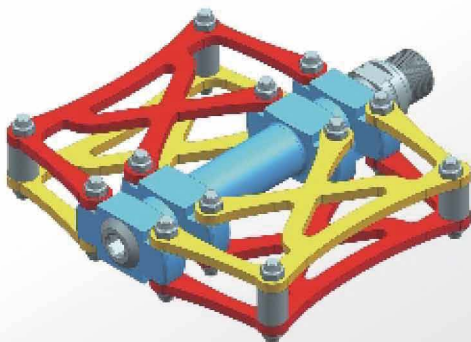
PDL-3Y05

- BODY: EXTRUDED/ALUMINUM ALLOY CNC MACHINED
- AXLE: CR-MO STEEL
- BEARING: THREE SEALED BEARINGS
- SIZE: 97*101*24MM
- WEIGHT: 370G/PR
- COLOR: BLACK / RED / GOLD / GRAY / GREEN / SILVER, ETC.



PDL-3Y06 PATENTED

- BODY: EXTRUDED/ALUMINUM ALLOY CNC MACHINED
- AXLE: CR-MO STEEL
- BEARING: THREE SEALED BEARINGS
- SIZE: 91*103*26MM
- WEIGHT: 406G/PR
- COLOR: BLACK / RED / GOLD / GRAY / GREEN / SILVER, ETC.



PDL-3Y07

- BODY: EXTRUDED/ALUMINUM ALLOY CNC MACHINED
- AXLE: CR-MO STEEL
- BEARING: THREE SEALED BEARINGS
- SIZE: 62*92MM



PDL-3Y08 PATENTED

- BODY: EXTRUDED/ALUMINUM ALLOY CNC MACHINED
- AXLE: CR-MO STEEL
- BEARING: THREE SEALED BEARINGS
- SIZE: 92*104*24MM
- WEIGHT: 400G/PR
- COLOR: BLACK / RED / GOLD / GRAY / GREEN / SILVER, ETC.



PDL-3Y09

- BODY: EXTRUDED/ALUMINUM ALLOY CNC MACHINED
- AXLE: CR-MO STEEL
- BEARING: THREE SEALED BEARINGS
- SIZE: 92*104*24MM
- WEIGHT: 405G/PR
- COLOR: BLACK / RED / GOLD / GRAY / GREEN / SILVER, ETC.



PDL-3K01 **PATENTED**

- BODY: EXTRUDED/ALUMINUM ALLOY CNC MACHINED
- AXLE: CR-MO STEEL
- BEARING: THREE SEALED BEARINGS
- SIZE: 90*102*25MM
- WEIGHT: 350G/PR
- COLOR: BLACK / RED / GOLD / GRAY / GREEN / SILVER, ETC.



PDL-3K03

- BODY: EXTRUDED/ALUMINUM ALLOY CNC MACHINED
- AXLE: CR-MO STEEL
- BEARING: THREE SEALED BEARINGS
- SIZE: 90*102*23MM
- WEIGHT: 360G/PR
- COLOR: BLACK / RED / GOLD / GRAY / GREEN / SILVER, ETC.



PDL-3K05 **PATENTED**

- BODY: EXTRUDED/ALUMINUM ALLOY CNC MACHINED
- AXLE: CR-MO STEEL
- BEARING: THREE SEALED BEARINGS
- SIZE: 90*102*23MM
- WEIGHT: 358G/PR
- COLOR: BLACK / RED / GOLD / GRAY / GREEN / SILVER, ETC.



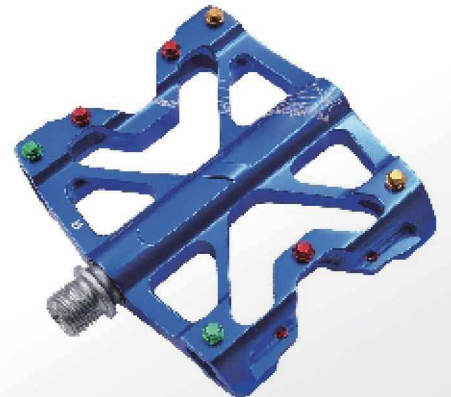
PDL-3K05S **PATENTED**

- BODY: EXTRUDED/ALUMINUM ALLOY CNC MACHINED
- AXLE: CR-MO STEEL
- BEARING: THREE SEALED BEARINGS
- SIZE: 90*102*25MM
- WEIGHT: 325G/PR
- COLOR: BLACK / RED / GOLD / GRAY / GREEN / SILVER, ETC.



PDL-3K06 **PATENTED**

- BODY: EXTRUDED/ALUMINUM ALLOY CNC MACHINED
- AXLE: CR-MO STEEL
- BEARING: THREE SEALED BEARINGS
- SIZE: 90*102*25MM
- WEIGHT: 325G/PR
- COLOR: BLACK / RED / GOLD / GRAY / GREEN / SILVER, ETC.



PDL-3K07 **PATENTED**

- BODY: EXTRUDED/ALUMINUM ALLOY CNC MACHINED
- AXLE: CR-MO STEEL
- BEARING: THREE SEALED BEARINGS
- SIZE: 90*102*23MM
- WEIGHT: 322G/PR
- COLOR: BLACK / RED / GOLD / GRAY / GREEN / SILVER, ETC.



PDL-3K09 **PATENTED**

- BODY: EXTRUDED/ALUMINUM ALLOY CNC MACHINED
- AXLE: CR-MO STEEL
- BEARING: THREE SEALED BEARINGS
- SIZE: 90*106*23MM
- WEIGHT: 370G/PR
- COLOR: BLACK / RED / GOLD / GRAY / GREEN / SILVER, ETC.



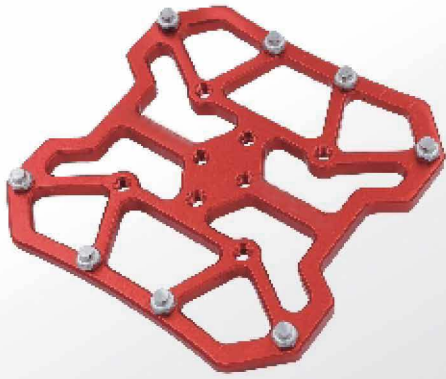
PDL-3K10 **PATENTED**

- BODY: EXTRUDED/ALUMINUM ALLOY CNC MACHINED
- AXLE: CR-MO STEEL
- BEARING: THREE SEALED BEARINGS
- SIZE: 89*94*27MM
- WEIGHT: 270G/PR
- COLOR: BLACK / RED / GOLD / GRAY / GREEN / SILVER, ETC.



PDL-3K11

- BODY: EXTRUDED/ALUMINUM ALLOY CNC MACHINED
- AXLE: CR-MO STEEL
- BEARING: THREE SEALED BEARINGS
- SIZE: 102*93*23MM
- WEIGHT: 330G/PR
- COLOR: BLACK / RED / GOLD / GRAY / GREEN / SILVER, ETC.



PDL-3K12

- BODY: EXTRUDED/ALUMINUM ALLOY CNC MACHINED
- SIZE: 98*86 MM
- COLOR:BLACK / RED / GOLD / GRAY / GREEN / SILVER,ETC.



PDL-3S1

- BODY: EXTRUDED/ALUMINUM ALLOY CNC MACHINED
- AXLE: CR-MO STEEL
- BEARING: THREE SEALED BEARINGS
- SIZE: 96*98*21MM
- WEIGHT:320G/PR
- COLOR:BLACK / RED / GOLD / GRAY / GREEN / SILVER,ETC.



PDL-3S2

- BODY: EXTRUDED/ALUMINUM ALLOY CNC MACHINED
- AXLE: CR-MO STEEL
- BEARING: THREE SEALED BEARINGS
- SIZE: 92*98*21MM
- WEIGHT:345G/PR
- COLOR:BLACK / RED / GOLD / GRAY / GREEN / SILVER,ETC.



PDL-3S3

- BODY: EXTRUDED/ALUMINUM ALLOY CNC MACHINED
- AXLE: CR-MO STEEL
- BEARING: THREE SEALED BEARINGS
- SIZE: 95*98*22MM
- WEIGHT:310G/PR
- COLOR:BLACK / RED / GOLD / GRAY / GREEN / SILVER,ETC.



PDL-3S4

- BODY: EXTRUDED/ALUMINUM ALLOY CNC MACHINED
- AXLE: CR-MO STEEL
- BEARING: THREE SEALED BEARINGS
- SIZE: 97*98*21MM
- WEIGHT:300G/PR
- COLOR:BLACK / RED / GOLD / GRAY / GREEN / SILVER,ETC.



PDL-3S5

- BODY: EXTRUDED/ALUMINUM ALLOY CNC MACHINED
- AXLE: CR-MO STEEL
- BEARING: THREE SEALED BEARINGS
- SIZE: 99*111*23MM
- WEIGHT:325G/PR
- COLOR:BLACK / RED / GOLD / GRAY / GREEN / SILVER,ETC.



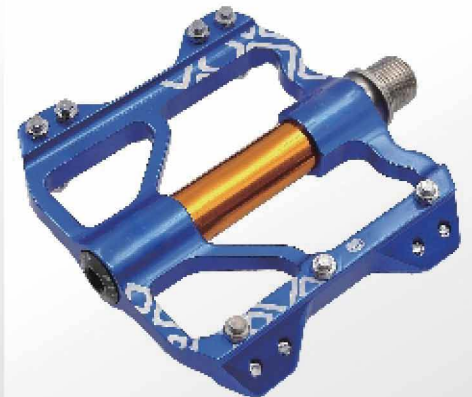
PDL-3S6

- BODY: EXTRUDED/ALUMINUM ALLOY CNC MACHINED
- AXLE: CR-MO STEEL
- BEARING: THREE SEALED BEARINGS
- SIZE: 96*98*26MM
- WEIGHT:375G/PR
- COLOR:BLACK / RED / GOLD / GRAY / GREEN / SILVER,ETC.



PDL-3S7

- BODY: EXTRUDED/ALUMINUM ALLOY CNC MACHINED
- AXLE: CR-MO STEEL
- BEARING: THREE SEALED BEARINGS
- SIZE: 90*91*27MM
- WEIGHT:360G/PR
- COLOR:BLACK / RED / GOLD / GRAY / GREEN / SILVER,ETC.



PDL-3S7 ENW

- BODY: EXTRUDED/ALUMINUM ALLOY CNC MACHINED
- AXLE: CR-MO STEEL
- BEARING: THREE SEALED BEARINGS
- SIZE: 90*100*25MM
- WEIGHT:400G/PR
- COLOR:BLACK / RED / GOLD / GRAY / GREEN / SILVER,ETC.



PDL-3S8 PATENTED

- BODY: EXTRUDED/ALUMINUM ALLOY CNC MACHINED
- AXLE: CR-MO STEEL
- BEARING: THREE SEALED BEARINGS
- SIZE: 100*105*30MM
- WEIGHT:380G/PR
- COLOR:BLACK / RED / GOLD / GRAY / GREEN / SILVER,ETC.



PDL-3S8C PATENTED

- BODY: EXTRUDED/ALUMINUM ALLOY CNC MACHINED
- AXLE: CR-MO STEEL
- BEARING: THREE SEALED BEARINGS
- SIZE: 90*98*21MM
- WEIGHT:296G/PR
- COLOR:BLACK / RED / GOLD / GRAY / GREEN / SILVER,ETC.



PDL-3S9 PATENTED

- BODY: EXTRUDED/ALUMINUM ALLOY CNC MACHINED
- AXLE: CR-MO STEEL
- BEARING: THREE SEALED BEARINGS
- SIZE: 96*98*21MM
- WEIGHT:298G/PR
- COLOR:BLACK / RED / GOLD / GRAY / GREEN / SILVER,ETC.



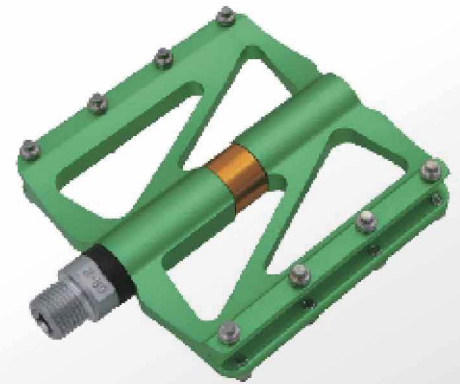
PDL-3S10

- BODY: EXTRUDED/ALUMINUM ALLOY CNC MACHINED
- AXLE: CR-MO STEEL
- BEARING: THREE SEALED BEARINGS
- SIZE: 99*102*21MM
- WEIGHT:274G/PR
- COLOR:BLACK / RED / GOLD / GRAY / GREEN / SILVER,ETC.



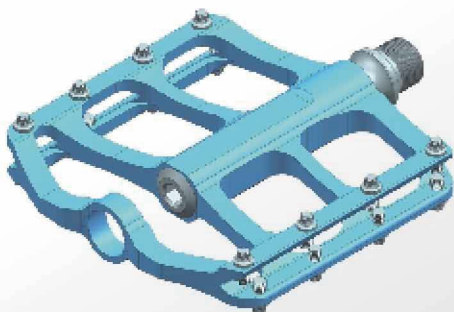
PDL-3S11

- BODY: EXTRUDED/ALUMINUM ALLOY CNC MACHINED
- AXLE: CR-MO STEEL
- BEARING: THREE SEALED BEARINGS
- SIZE: 99*98*21MM
- WEIGHT:330G/PR
- COLOR:BLACK / RED / GOLD / GRAY / GREEN / SILVER,ETC.



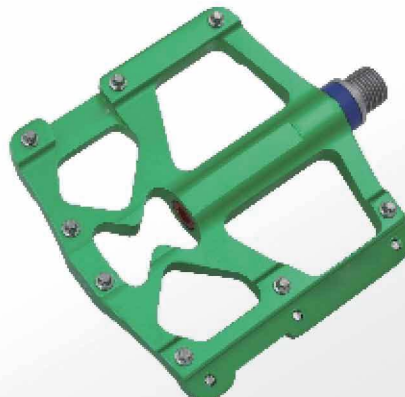
PDL-3S13

- BODY: EXTRUDED/ALUMINUM ALLOY CNC MACHINED
- AXLE: CR-MO STEEL
- BEARING: THREE SEALED BEARINGS
- SIZE: 98*95*22MM
- WEIGHT:409G/PR
- COLOR:BLACK / RED / GOLD / GRAY / GREEN / SILVER,ETC.



PDL-3S20

- BODY: EXTRUDED/ALUMINUM ALLOY CNC MACHINED
- AXLE: CR-MO STEEL
- BEARING: THREE SEALED BEARINGS
- SIZE: 105*80MM



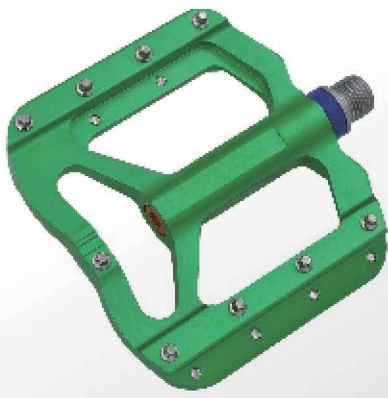
PDL-3V6

- BODY: EXTRUDED/ALUMINUM ALLOY CNC MACHINED
- AXLE: CR-MO STEEL
- BEARING: THREE SEALED BEARINGS
- SIZE: 90*102*25MM
- WEIGHT:370G/PR
- COLOR:BLACK / RED / GOLD / GRAY / GREEN / SILVER,ETC.



PDL-3V7

- BODY: EXTRUDED/ALUMINUM ALLOY CNC MACHINED
- AXLE: CR-MO STEEL
- BEARING: THREE SEALED BEARINGS
- SIZE: 92*105*24 MM
- WEIGHT:355G/PR
- COLOR:BLACK / RED / GOLD / GRAY / GREEN / SILVER,ETC.



PDL-3V8

- BODY: EXTRUDED/ALUMINUM ALLOY CNC MACHINED
- AXLE: CR-MO STEEL
- BEARING: THREE SEALED BEARINGS
- SIZE: 100.5*105.5*20.5MM
- WEIGHT: 309G/PR
- COLOR: BLACK / RED / GOLD / GRAY / GREEN / SILVER, ETC.



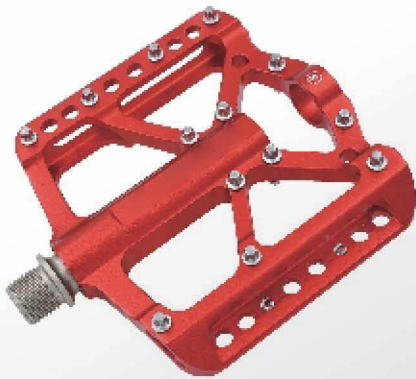
PDL-3V9

- BODY: EXTRUDED/ALUMINUM ALLOY CNC MACHINED
- AXLE: CR-MO STEEL
- BEARING: THREE SEALED BEARINGS
- SIZE: 100*106*20MM
- WEIGHT: 321G/PR
- COLOR: BLACK / RED / GOLD / GRAY / GREEN / SILVER, ETC.



PDL-3V10

- BODY: EXTRUDED/ALUMINUM ALLOY CNC MACHINED
- AXLE: CR-MO STEEL
- BEARING: THREE SEALED BEARINGS
- SIZE: 93*82*20MM
- WEIGHT: 290G/PR
- COLOR: BLACK / RED / GOLD / GRAY / GREEN / SILVER, ETC.



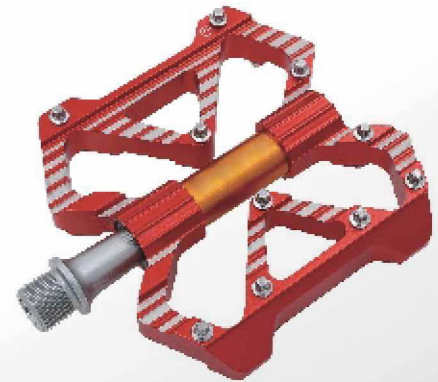
PDL-3V11

- BODY: EXTRUDED/ALUMINUM ALLOY CNC MACHINED
- AXLE: CR-MO STEEL
- BEARING: THREE SEALED BEARINGS
- SIZE: 102*98*23MM
- WEIGHT: 306G/PR
- COLOR: BLACK / RED / GOLD / GRAY / GREEN / SILVER, ETC.



PDL-3V12

- BODY: EXTRUDED/ALUMINUM ALLOY CNC MACHINED
- AXLE: CR-MO STEEL
- BEARING: THREE SEALED BEARINGS
- SIZE: 94*94*21MM
- WEIGHT: 294G/PR
- COLOR: BLACK / RED / GOLD / GRAY / GREEN / SILVER, ETC.



PDL-3V13

- BODY: EXTRUDED/ALUMINUM ALLOY CNC MACHINED
- AXLE: CR-MO STEEL
- BEARING: THREE SEALED BEARINGS
- SIZE: 97*95*23MM
- WEIGHT: 360G/PR
- COLOR: BLACK / RED / GOLD / GRAY / GREEN / SILVER, ETC.



PDL-3V14

- BODY: EXTRUDED/ALUMINUM ALLOY CNC MACHINED
- AXLE: CR-MO STEEL
- BEARING: THREE SEALED BEARINGS
- SIZE: 94*90*23MM
- WEIGHT: 271G/PR
- COLOR: BLACK / RED / GOLD / GRAY / GREEN / SILVER, ETC.



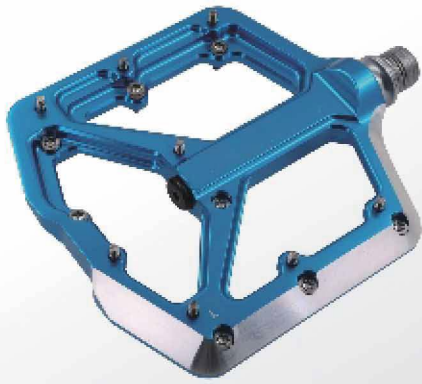
PDL-3V15

- BODY: EXTRUDED/ALUMINUM ALLOY CNC MACHINED
- AXLE: CR-MO STEEL
- BEARING: THREE SEALED BEARINGS
- SIZE: 105*96*19MM
- WEIGHT: 290G/PR
- COLOR: BLACK / RED / GOLD / GRAY / GREEN / SILVER, ETC.



PDL-3V16

- BODY: EXTRUDED/ALUMINUM ALLOY CNC MACHINED
- AXLE: CR-MO STEEL
- BEARING: THREE SEALED BEARINGS
- SIZE: 93*93*22MM
- WEIGHT: 305G/PR
- COLOR: BLACK / RED / GOLD / GRAY / GREEN / SILVER, ETC.



PDL-3D1

- BODY: EXTRUDED/ALUMINUM ALLOY CNC MACHINED
- AXLE: CNC MACHINED CR-MO
- BEARING: SEALED BEARINGS
- SIZE: 100*100MM
- WEIGHT: 360G/PR



PDL-3F1

- BODY: EXTRUDED/ALUMINUM ALLOY CNC MACHINED
- AXLE: CR-MO STEEL
- BEARING: THREE SEALED BEARINGS
- SIZE: 105*104*19MM
- WEIGHT: 334G/PR
- COLOR: BLACK / RED / GOLD / GRAY / GREEN / SILVER, ETC.



ACC-3B10

- BRACKET: ALUMINUM ALLOY 6061
- CLIP INSIDE DIA: 22.2 MM / 31.8MM
- TUBE: ALUMINUM ALLOY 6061,22MM*/ANY LENGTH
- SURFACE TREATMENT: SANDBLASTING / POLISHING
- WEIGHT:52G/SET
- COLOR:BLACK / RED / GOLD / GRAY / GREEN / SILVER,ETC.



ACC-3B07

- BRACKET: ALUMINUM ALLOY 6061
- CLIP INSIDE DIA: 22.2 MM / 31.8MM
- TUBE: ALUMINUM ALLOY 6061,22MM*/ANY LENGTH
- SURFACE TREATMENT: SANDBLASTING / POLISHING
- WEIGHT:63G/SET
- COLOR:BLACK / RED / GOLD / GRAY / GREEN / SILVER,ETC.



ACC-3X1

- BRACKET: ALUMINUM ALLOY 6061
- CLIP INSIDE DIA: 22.2 MM / 31.8MM
- TUBE: ALUMINUM ALLOY 6061,22MM*/ANY LENGTH
- SURFACE TREATMENT: SANDBLASTING / POLISHING
- WEIGHT:61G/SET
- COLOR:BLACK / RED / GOLD / GRAY / GREEN / SILVER,ETC.



ACC-3B10C

- BRACKET: ALUMINUM ALLOY 6061
- CLIP INSIDE DIA: 22.2 MM / 31.8MM
- TUBE: CARBON FIBER,22MM*82/120/150/220MM
- SURFACE TREATMENT: SANDBLASTING / POLISHING
- WEIGHT:40G/SET
- COLOR:BLACK / RED / GOLD / GRAY / GREEN / SILVER,ETC.



ACC-3B07C

- BRACKET: ALUMINUM ALLOY 6061
- CLIP INSIDE DIA: 22.2 MM / 31.8MM
- TUBE: CARBON FIBER,22MM*82/120/150/220MM
- SURFACE TREATMENT: SANDBLASTING / POLISHING
- WEIGHT:50.7G/SET
- COLOR:BLACK / RED / GOLD / GRAY / GREEN / SILVER,ETC.



ACC-3X1C

- BRACKET: ALUMINUM ALLOY 6061
- CLIP INSIDE DIA: 22.2 MM / 31.8MM
- TUBE: CARBON FIBER,22MM*82/120/150/220MM
- SURFACE TREATMENT: SANDBLASTING / POLISHING
- WEIGHT:48.7G/SET
- COLOR:BLACK / RED / GOLD / GRAY / GREEN / SILVER,ETC.



ACC-3B11

- NAME: BIKE WATER BOTTLE CAGE ADAPTER
- BODY: ALUMINUM ALLOY 6061
- WEIGHT:57G/SET
- FITS FOR:SEAT POST:30.9MM-31.6MM,
HANDLEBARS:31.8MM
- COLOR:BLACK / RED / GOLD / GRAY / GREEN / SILVER,ETC.



ACC-3B12

- NAME: BIKE HANDLEBAR GRIP ENDS
- BODY: ALUMINUM ALLOY 6061 AND PLASTIC
- OUTER DIA OUTER:23.6MM; SCREW:M4*34MM
- WEIGHT:25G/PR
- FITS FOR:HANDLEBAR INSIDE DIAMETER>=17MM
- COLOR:BLACK / RED / GOLD / GRAY / GREEN / SILVER,ETC.



ACC-3B13

- NAME: BIKE HANDLEBAR ENDS HORN GRIPS
- BODY: ALUMINUM ALLOY 6061
- SIZE:22.8*94MM
- WEIGHT:140G/PR
- FITS FOR:22.2MM OF HANDLEBARS
- COLOR:BLACK / RED / GOLD / GRAY / GREEN / SILVER,ETC.



ACC-3B01

- NAME:BIKE BELL
- BODY:HIGH QUALITY METAL INTERFACE
- SIZE:2.2CM*3CM
- WEIGHT:50G/SET
- CLASSIC STYLE BELL WITH TWO XIZE STAINLESS STEEL
- COLOR:BLACK / SILVER / MATT GOLDEN / GLOSSY GOLDEN



ACC-3B02

- NAME:M20 CRANK ARM FIXING BOLT
- BODY:ALUMINUM ALLOY 6061, 6G/PC
- TWO STYLES CAN BE OPTIONAL SEALED M20 IS FOR BICYCLE SHAFT WHICH HAS A THREAD, CRANK SCREW, THE OTHER HOLLOW M20 IS FOR CHAIN WHEEL BOLT.
- SURFACE TREATMENT: SANDBLASTING / POLISHING
- COLOR:BLACK / RED / GOLD / GRAY / GREEN / SILVER, ETC.



ACC-3B03

- NAME:BIKE PEDAL CLEAT
- MATERIAL:PREMIUM STRENGTH BRASS
- FLOAT:6°, RELEASE ANGLE:15°OR 20°
- WEIGHT:45G/SET
- COMPATIBILITY:EGGBEATER,CANDY,SMARTY,ACID
- COLOR:BLACK



ACC-3B04

- NAME:BIKE PEDAL CLEAT
- MATERIAL:PREMIUM STRENGTH BRASS
- FLOAT:6°, RELEASE ANGLE:15°OR 20°
- WEIGHT:45G/SET
- COMPATIBILITY:EGGBEATER,CANDY,SMARTY,ACID
- COLOR:GOLD



ACC-3B22

- NAME:BIKE PEDAL CLEAT
- BODY:ALUMINUM ALL OY 6061
- WEIGHT:10G/PC
- FITS FOR:4/5/6 MM ROLLER SCREW AXIS ALMOST ALL MOUNTAIN BIKE OF 11T
- COLOR:BLACK / RED / GOLD / GRAY / GREEN / SILVER, ETC.



ACC-3B24



ACC-3B25



ACC-3B26